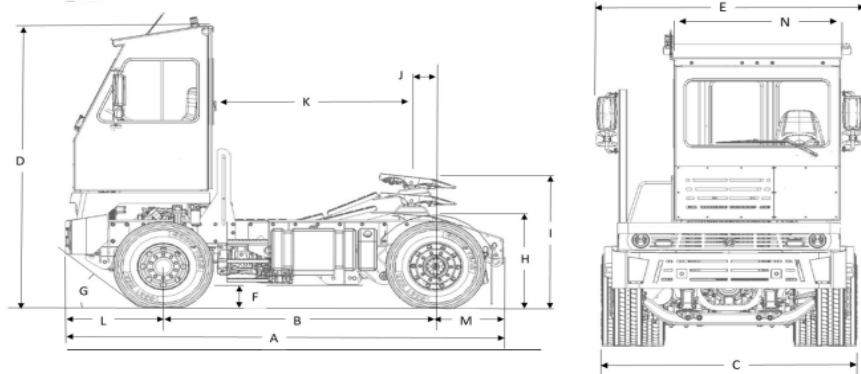


T-SERIES

YARD BOSS



POWERTRAIN

Standard		Optional
Engine	Cummins QSB T4F 6.7L 173 HP	ISB 6.7L 200HP {DOT}
Transmission	Allison RD 3500	
Gears	1-2-3-4-5-6	
Fuel Tank	50 Gallons	

CHASSIS

Standard		Optional
Front Axle	Hendrickson STEERTEK NXT 14,600 LB	
Rear Axle	PRC785 Axletech (30,000 LB) 10.5:1 Ratio	
Suspension	RIGID - Leaf Springs w/ Rubber Bushings	
Front Brake	16.5 x 5 s-cam	
Rear Brake	16.5 x 7 s-cam	
Steering	TRW – TAS66{DOT}	
Fifth Wheel	SF Holland FW35 - 70,000 LB	
Tires	11R22.5 Radials	
Wheel	22.5 Steel Hub Piloted	

CAB & TRIM

Standard		Optional
Structure	Steel, Structural Tube	
Isolation	5 Point, Fulcrum-Focused Mounting	
Tilt	Accumulated Gas Shock	
Entry	Rear Sliding Door, 24" x 72"	
Mirrors	Dual West Coast	Powered/Heated/Convex
HVAC	45,000 BTU w/ AC	
Insulation	Thermal and Noise	
Seat	Sears, Atlas II, Air Suspended	See Dealer
Fenders	Rear Fenders w/ Mud Flaps	

HYDRAULIC

Standard	
Flow	31 GPM @ 2300 RPM
Tank	12 Gallon

STATIC DIMENSIONS

	{IN}	
A	Overall Length	186
B	Wheel Base	116
C	Clearance Width	99
D	Overall Height	134
E	Overall Width	115
F	Ground Clearance	12
G	Approach Angle	40°
H	Fifth Wheel Height Low Position	44
I	Fifth Wheel Height Upper Position	62
J	Fifth Wheel to Center Line of Axle	10
K	Trailer Clearance	80
L	Front Tire to Front Bumper	42
M	Rear Tire to Rear Bumper	28
N	Cab Width	65

ELECTRICAL

Standard	
System	12V
Alternator	130 Amp
Battery	2 x 950 CCA
Headlights	LED
Stop/Turn/Tail	LED
Warning/Hazards	LED
Work Lamps	LED
Beacon	LED

AIR

Standard	
Compressor	Wabco 18.7 CFM
Tank	4100 in ³